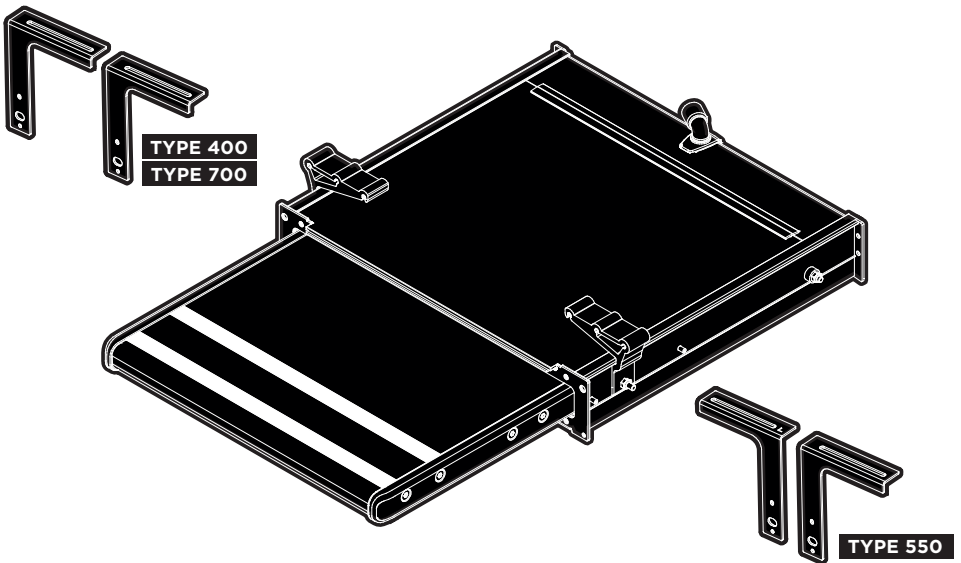


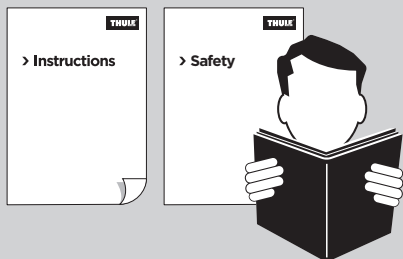
INSTALLATION

> Instructions

Thule Slide Out G2 12V Crafter 2017

301857, 301858, 301859, 301878, 301879

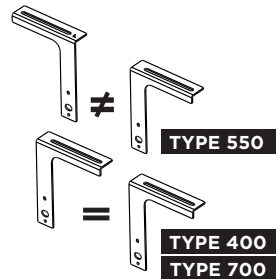
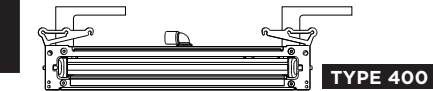
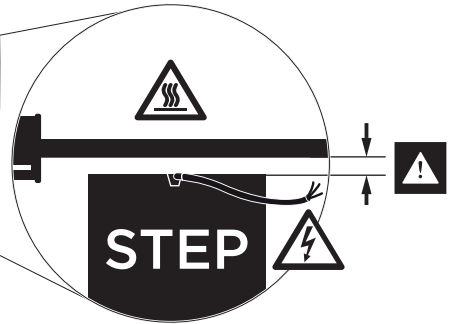
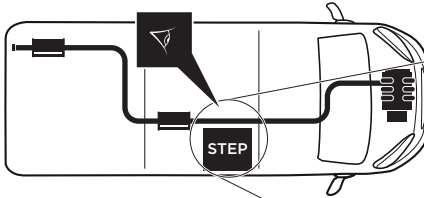
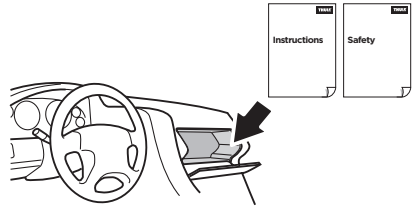
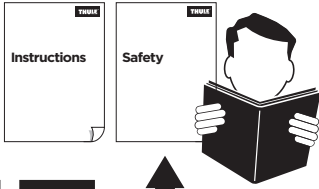




| | |
|-----------|--|
| DE | Trittstufen - Bedienungsanleitung |
| NL | Opstaptrade - Gebruikershandleiding |
| FR | Marchepieds - Instructions d'utilisation |
| IT | Gradini - Istruzioni per l'uso |
| ES | Escalones - Manual de usuario |
| SV | Fotsteg - Användarmanual |
| FI | Astinlaudat - Käyttöohje |
| DA | Trapper - Brugermanual |
| NO | Trapper - Brukerhåndbok |
| PL | Stopnie - Instrukcja obsługi |

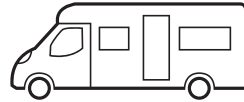
| | | |
|----------|--|-----------|
| 1 | WARNINGS & INFO | 4 |
| | Warnungen & Info / waarschuwingen & info / avertissements et informations / avvertimenti e informazioni / advertencias e información / varningar & info / varoitukset ja tiedot / advarsler og info / advarsler og info / ostrzeżenia i informację | |
| 2 | CONTENT | 5 |
| | Inhalt / inhoud / contenu / contenuto / contenido / innehåll / sisältö / indhold / innhold / zawartość | |
| 3 | TOOLS | 6 |
| | Werkzeuge / gereedschappen / outils / strumenti / herramientas / verktyg / työkalut / værktøjer / verktøy / narzędzia | |
| 4 | INSTALLATION | 7 |
| | Installation / installatie / installation / installazione / instalación / installation / asennus / installation / instalasjon / instalacja | |
| 5 | ELECTRICAL INSTALLATION | 13 |
| | Elektroinstallation / Elektrische installatie / Installation électrique / Installazione elettrica / Instalacion electrica / Elektrisk installation / Sähköinen asennus / Elektrisk installation / Elektrisk installasjon / Instalacja elektryczna | |
| 6 | ACCESSORIES | 18 |
| | Zubehör / accessoires / accessoires / accessori / accesorios / tillbehör / tarvikkeet / tilbehør / tilbehør / akcesoria | |

1 WARNINGS & INFO



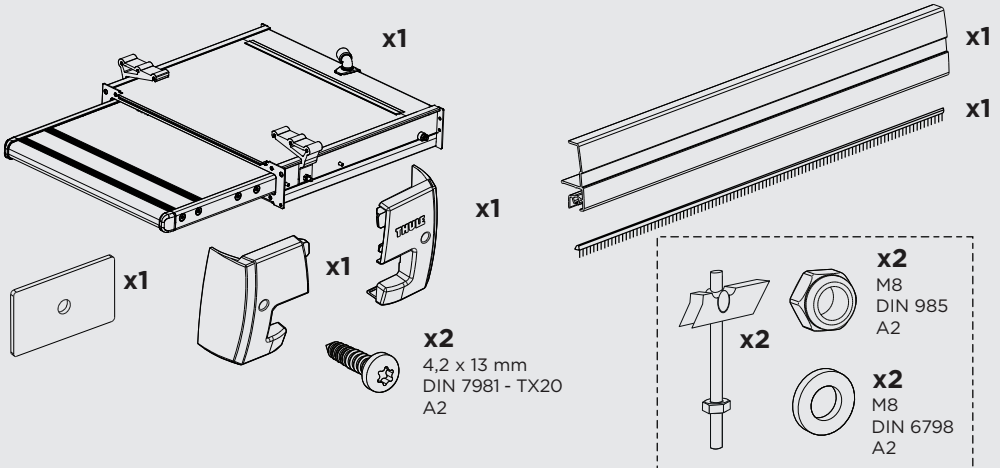


EN 1645-1

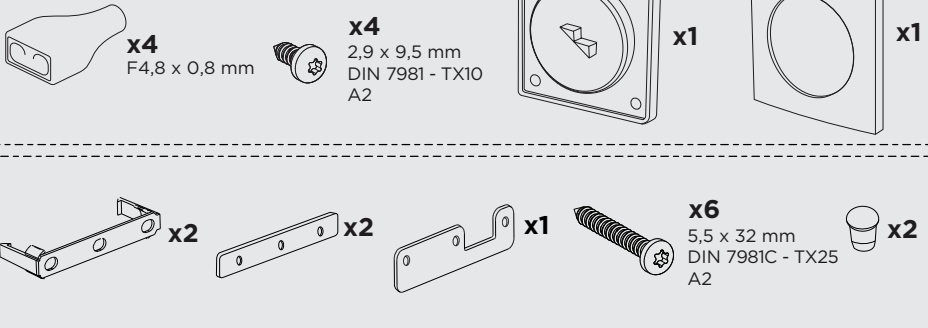


EN 1646-1

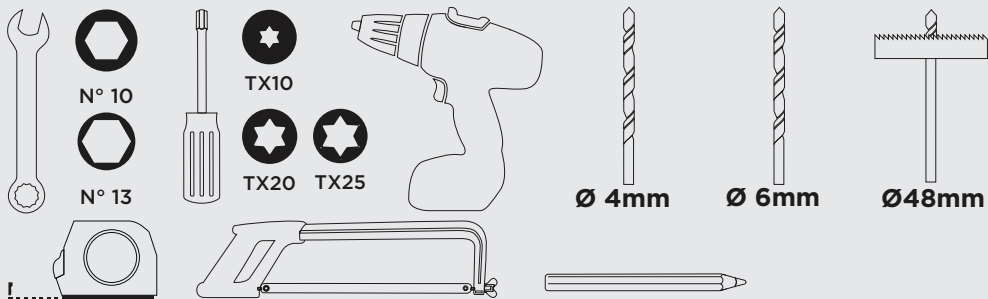
2 CONTENT



OPTIONAL



3 TOOLS

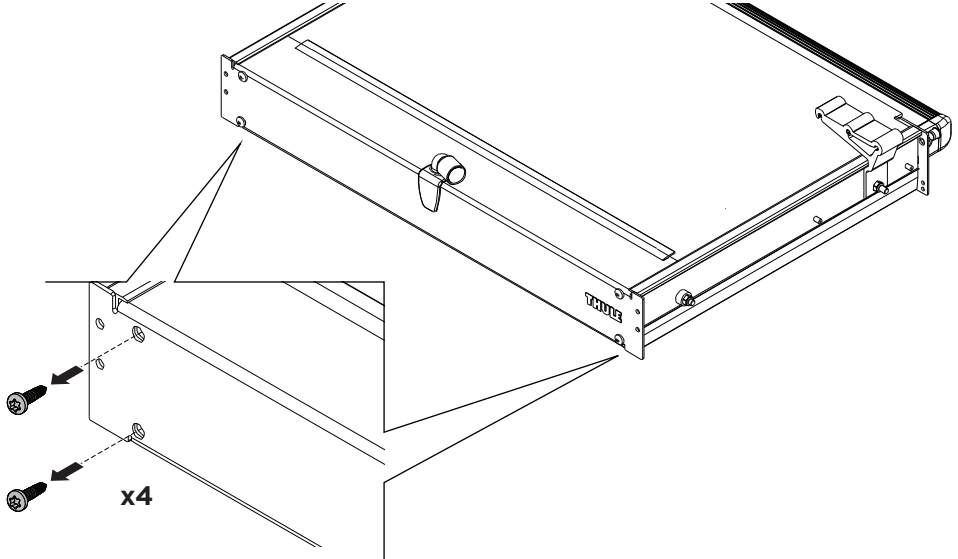


4 INSTALLATION

1



TX25



2



TYPE 400
TYPE 700

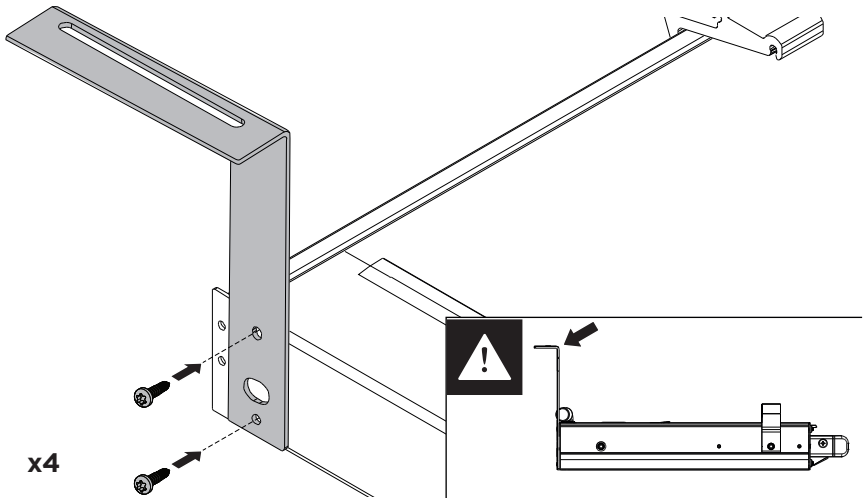
OR



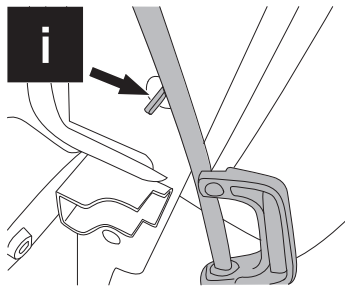
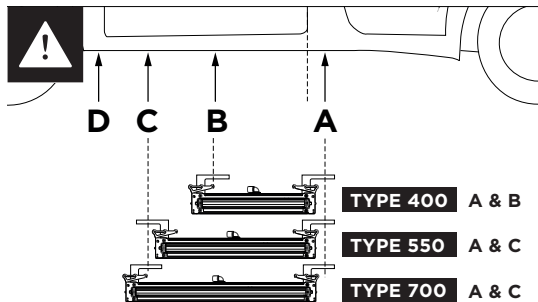
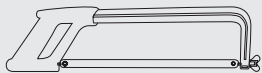
TYPE 550



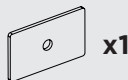
TX25



3

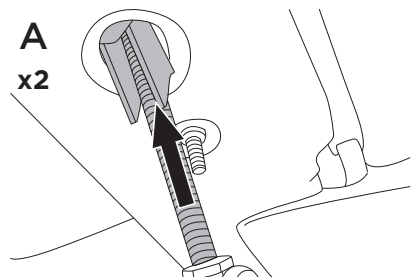


4

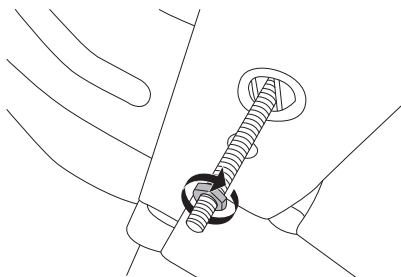


**ONLY FOR
FIXPOINT B&C**

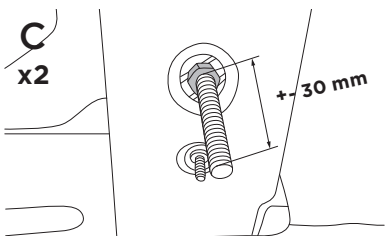
A
x2



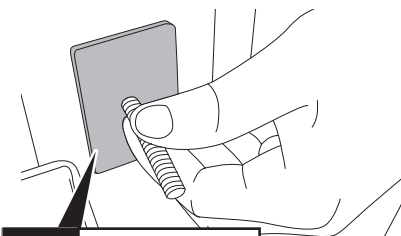
B
x2



C
x2

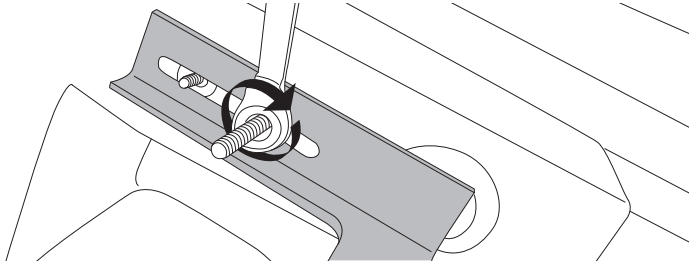
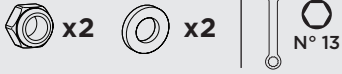


D
x2

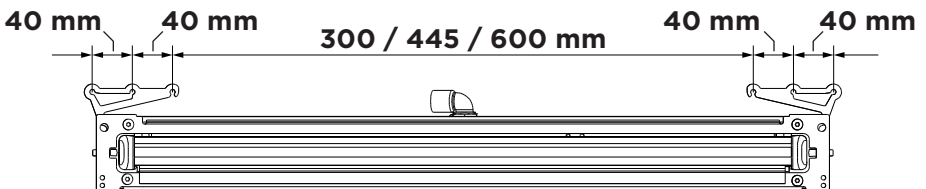
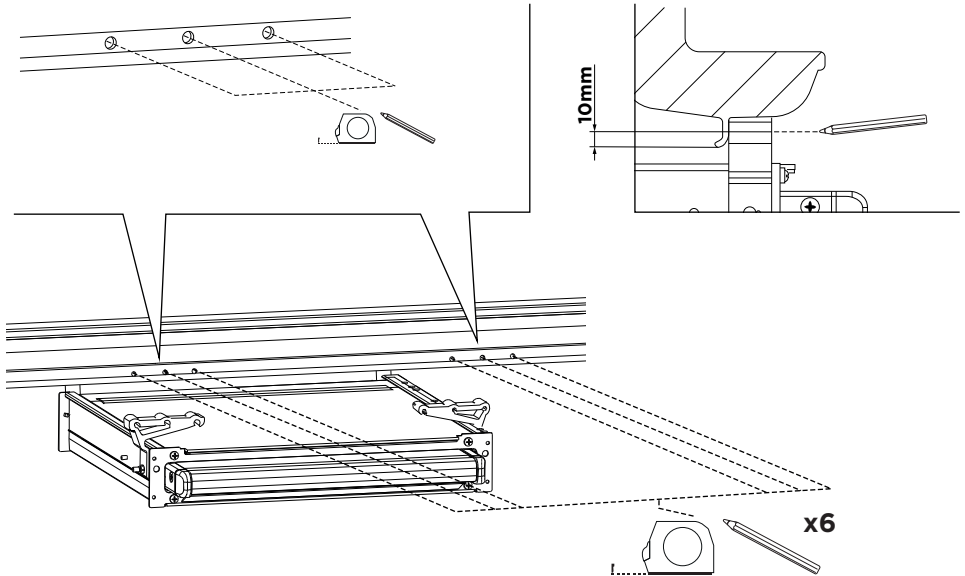


! **ONLY FOR
FIXPOINT B&C**

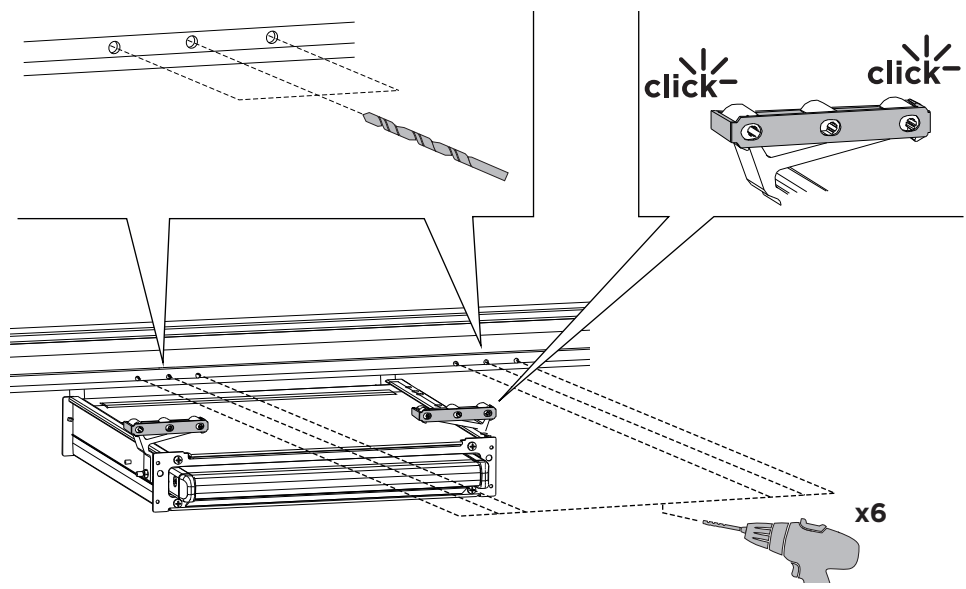
5



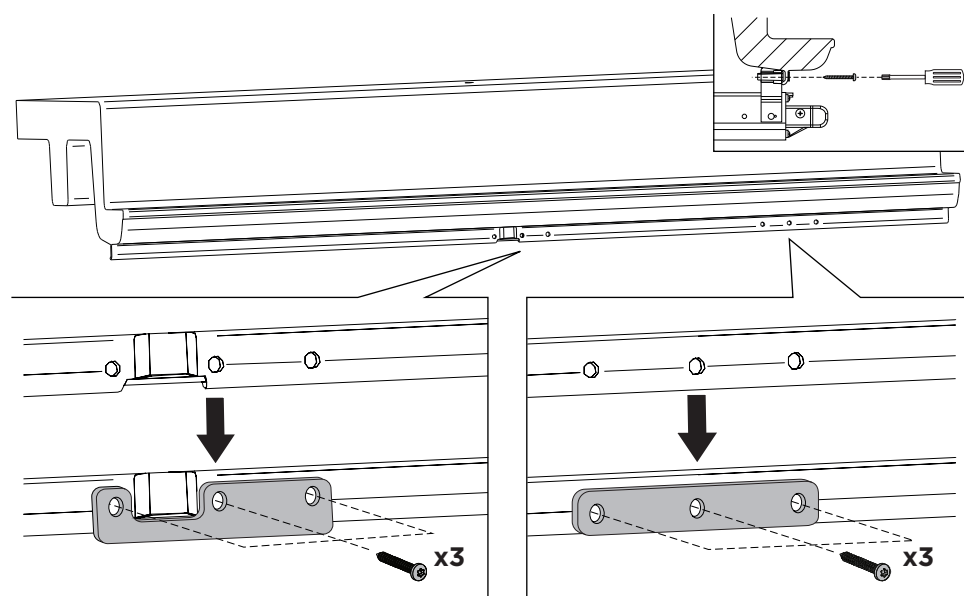
6



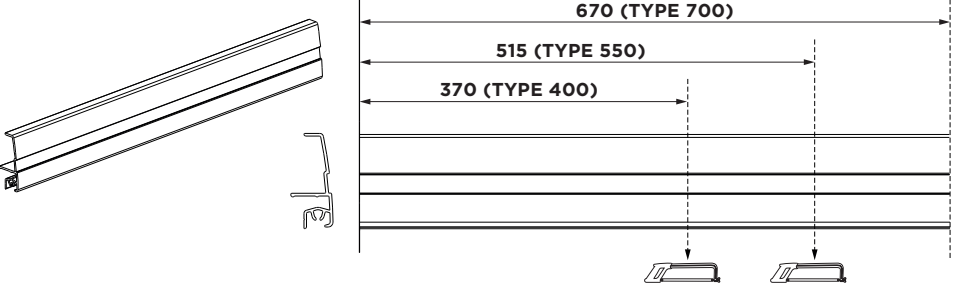
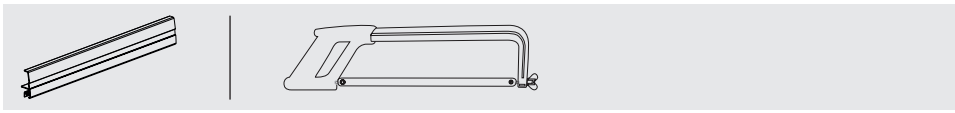
7



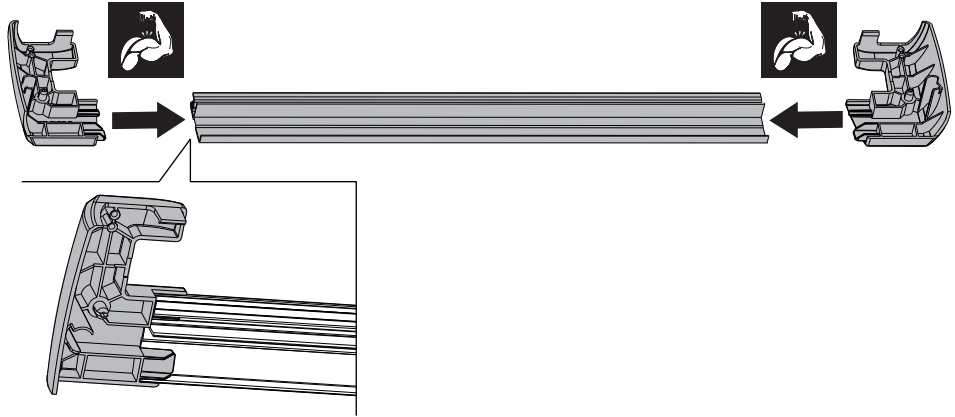
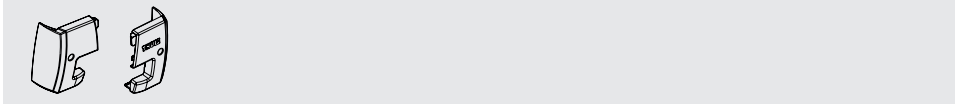
8



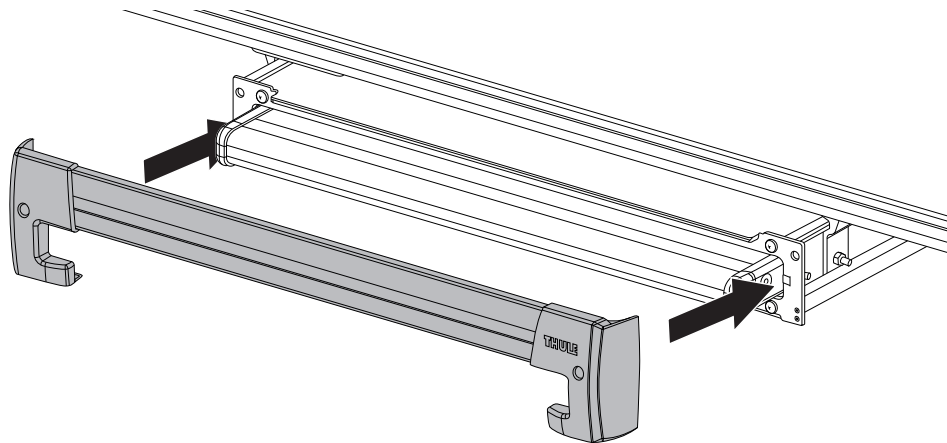
9



10



11



12



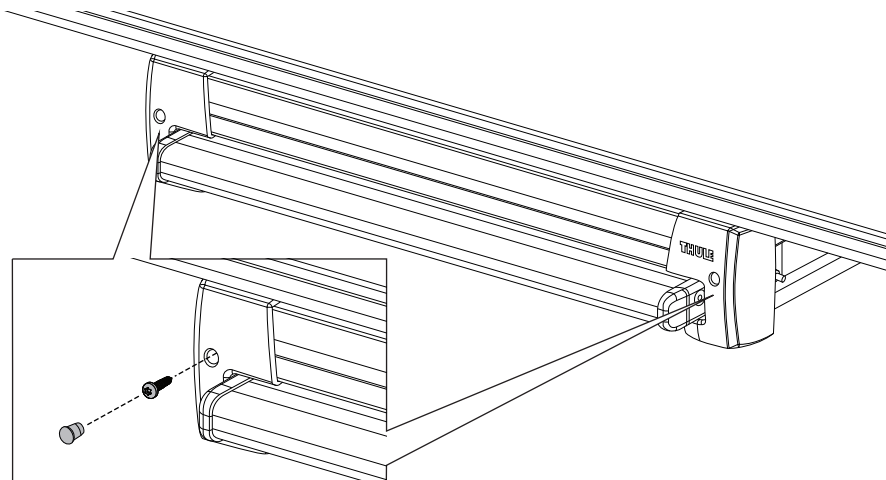
x2



x2



TX20



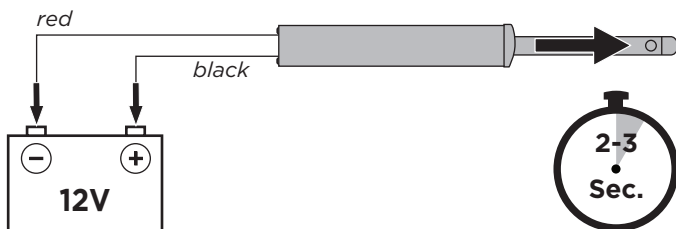
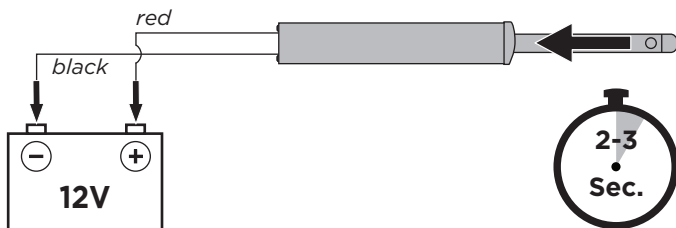
5 ELECTRICAL INSTALLATION

i



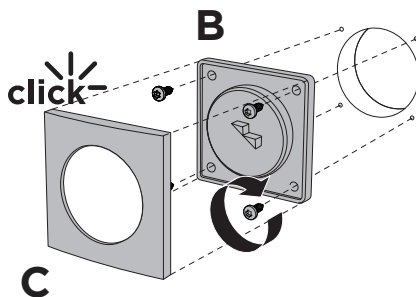
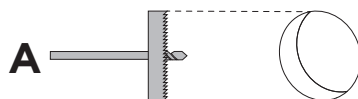
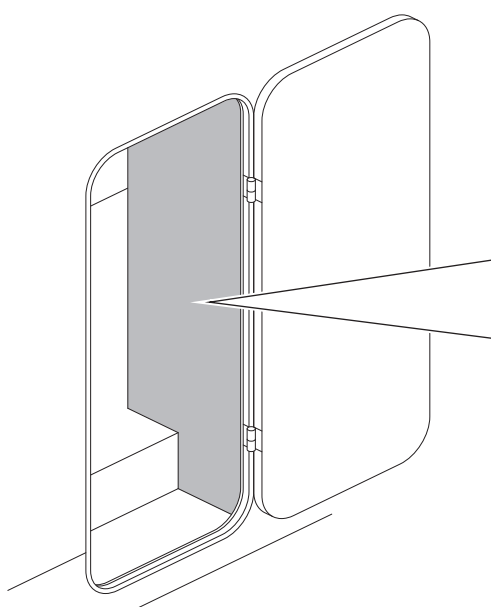
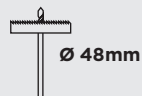
**RED/ROT/ROOD/
ROUGE/ROSSO/ROJA/
RÖD/PUNAINEN/RØD/
RÖD/CZERWONY**

**BLACK/SCHWARZ/
ZWART/NOIR/NERO/
NEGRO/SVART/
MUSTA/SORT/SVART/
CZARNY**

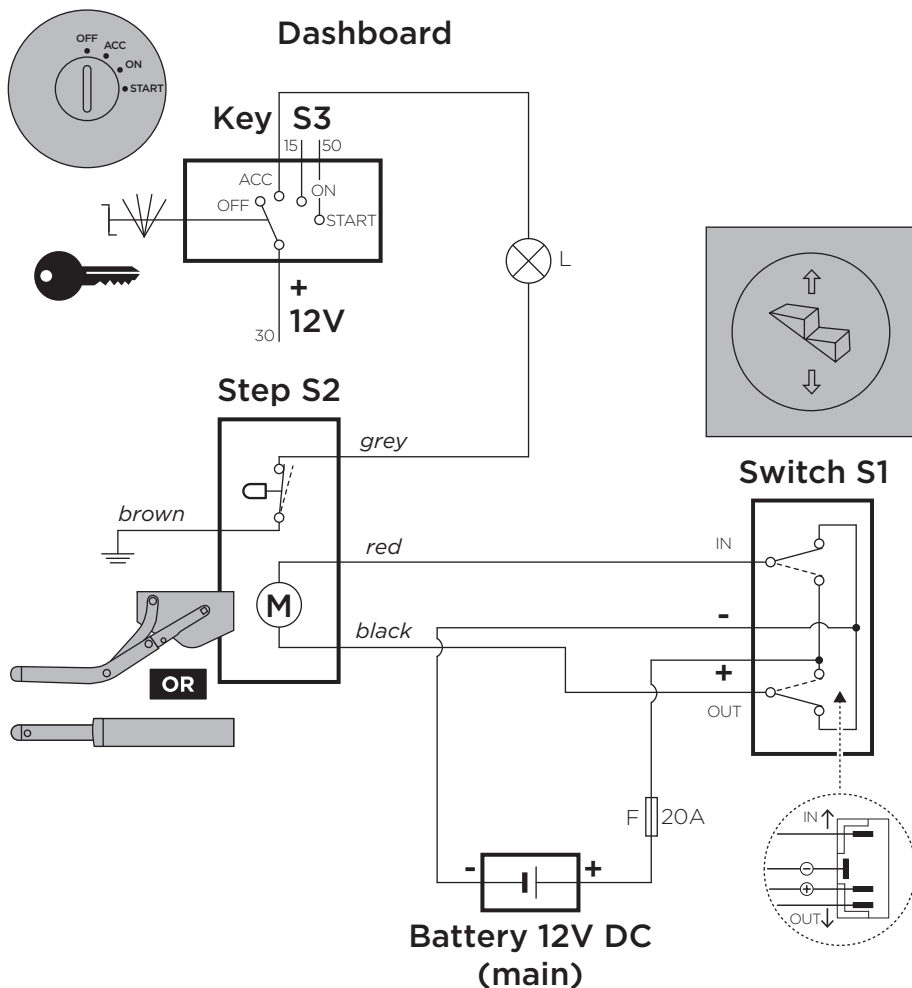


1

OPTIONAL



THULE STEP with WARNING LAMP (or BUZZER)



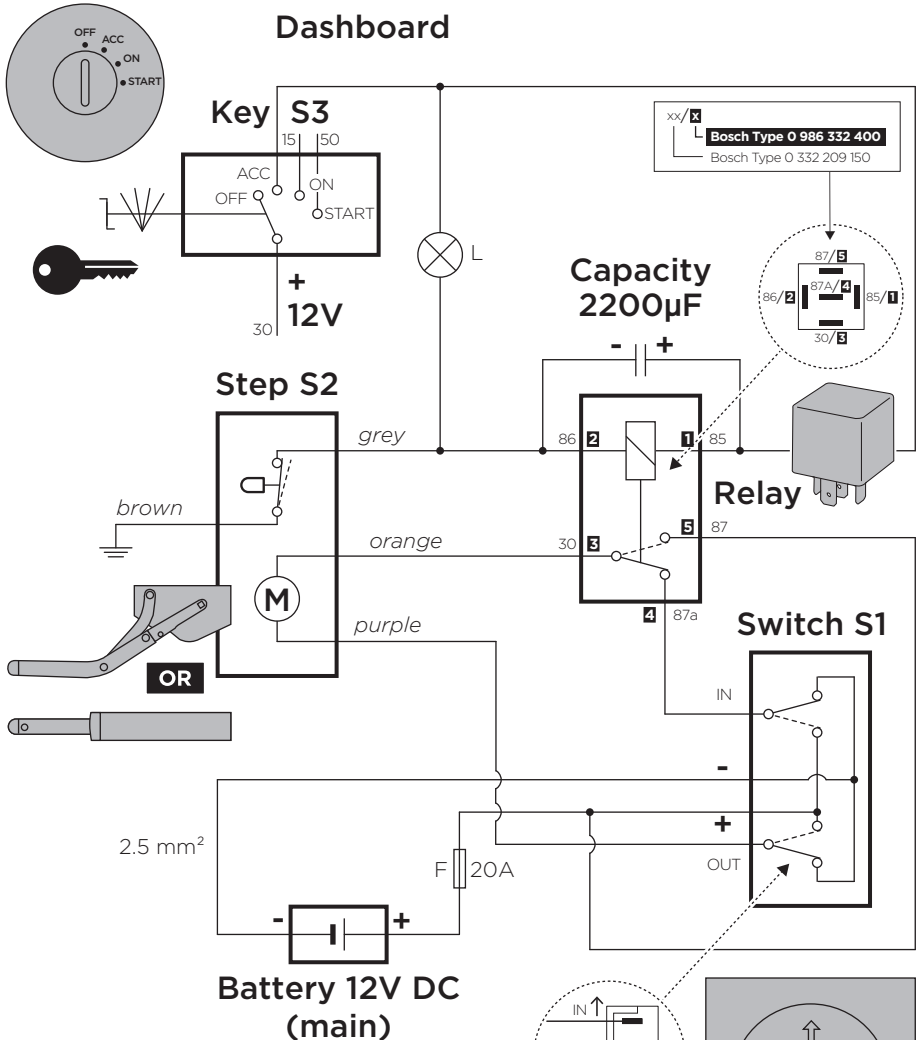
**BLACK/SCHWARZ/
ZWART/NOIR/NERO/
NEGRO/SVART/
MUSTA/SORT/SVART/
CZARNY**

**GREY/GRAU/GRIJS/
GRISE/GRIGIO/GRIS/
GRÅ/HARMAA/GRÅ/
GRÅ/SZARY**

**RED/ROT/ROOD/
ROUGE/ROSSO/ROJA/
RÖD/PUNAINEN/RØD/
RØD/CZERWONY**

**BROWN/BRAUN/
BRUIN/MARRON/
MARRONE/MARÓN/
BRUN/RUSKEA/BRUN/
BRUN/BRAZOWY**

THULE STEP with OPTIONAL RELAY (308200) for AUTOMATIC RETRACTION

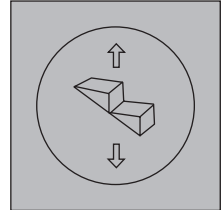
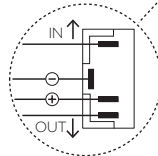


**PURPLE/LILA/PAARS/
VIOLET/VIOLA/
MORADO/LILA/
VIOLETTI/LILLA/
LILLA/FIOLETOWY**

**ORANGE/ORANGE/
ORANJE/ORANGE/
ARANCIA/NARANJA/
ORANGE/ORANSSI/
ORANGE/ORANSJE/
POMARANCZOWY**

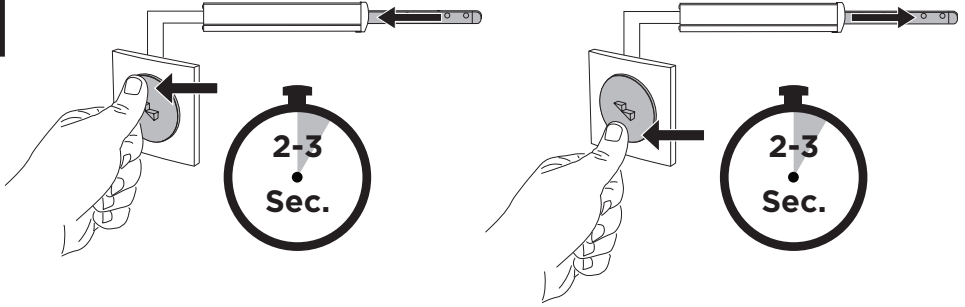
**BROWN/BRAUN/
BRUIN/MARRON/
MARRONE/MARÓN/
BRUN/RUSKEA/BRUN/
BRUN/BRAZOWY**

**GREY/GRAU/GRIJS/
GRISE/GRIGIO/GRIS/
GRÄ/HARMAA/GRÄ/
GRÄ/SZARY**

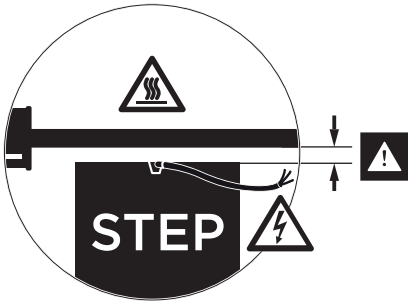
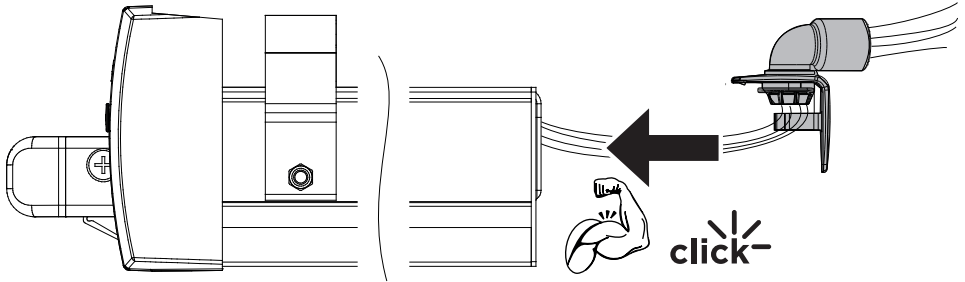


2

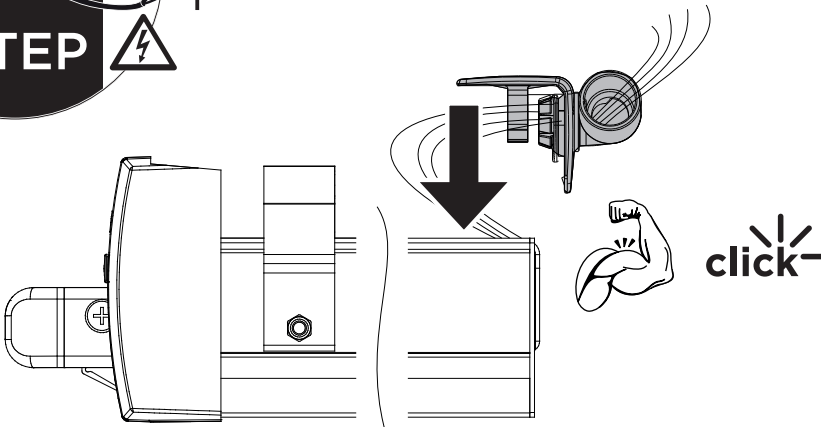
i



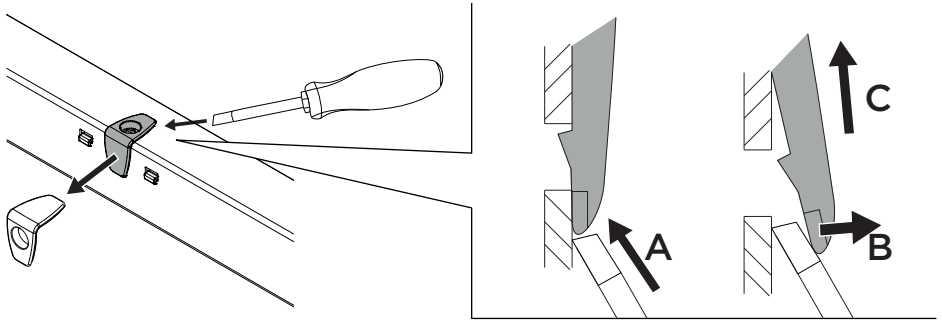
3



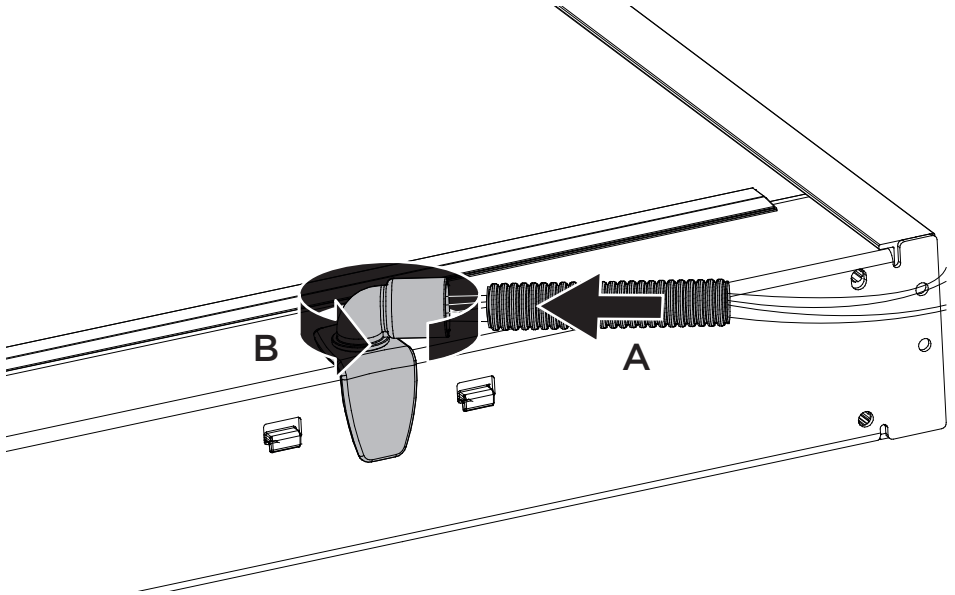
OR



i

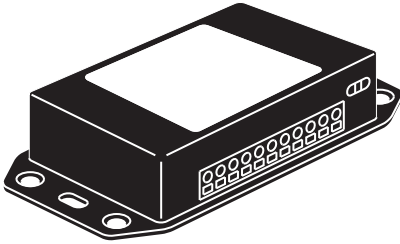


4



6 ACCESSORIES

Electronic control unit (308812)



Relay for Automatic retraction x10 (308200)

